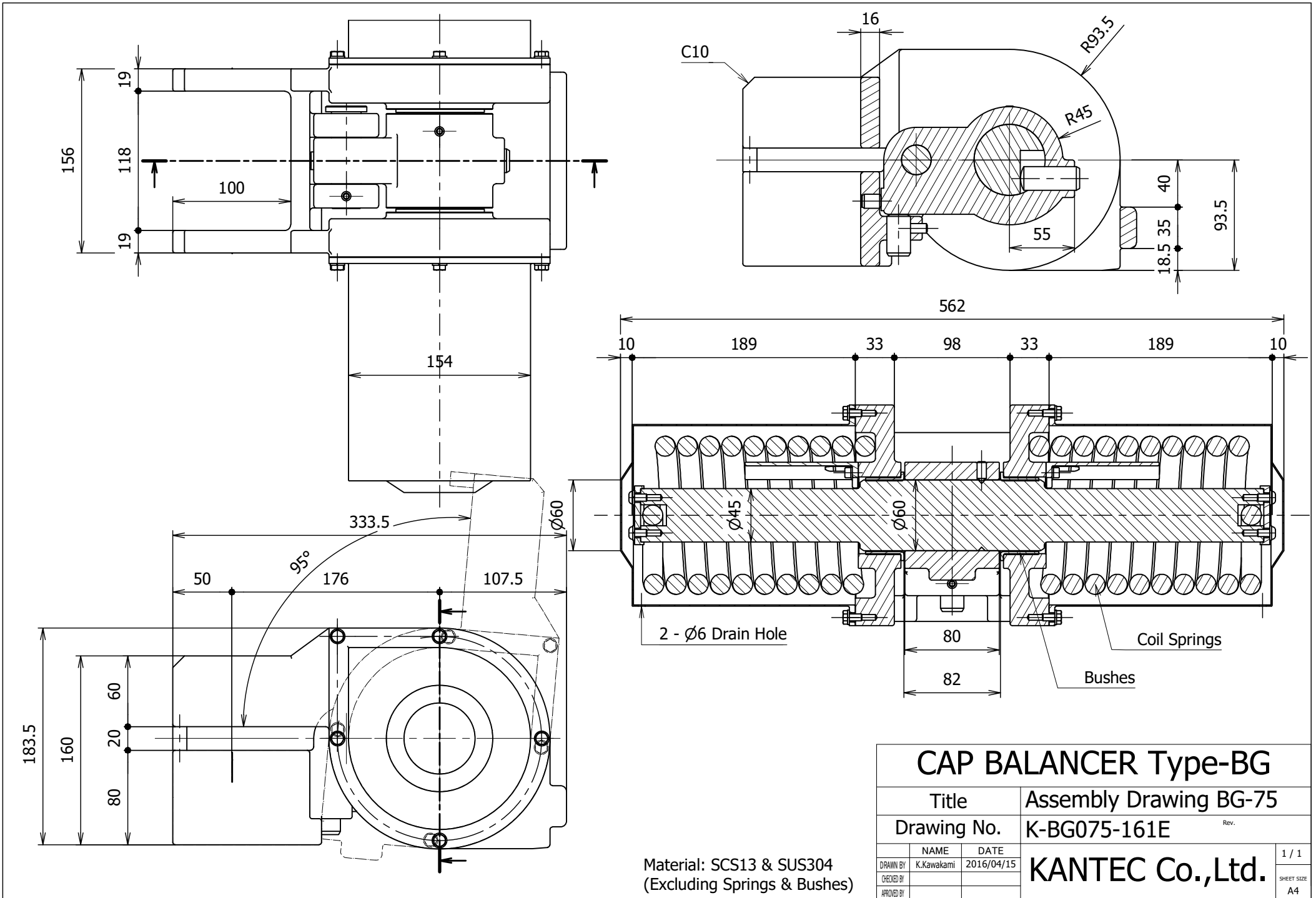


Material: SCS13 & SUS304
(Excluding Springs & Bushes)

CAP BALANCER Type-BG			
Title		Assembly Drawing BG-60	
Drawing No.		K-BG060-161E	
DRAWN BY		DATE	
K.Kawakami		2016/04/15	
CHECKED BY		APPROVED BY	
KANTEC Co.,Ltd.			1 / 1
			SHEET SIZE A4



Material: SCS13 & SUS304
(Excluding Springs & Bushes)

CAP BALANCER Type-BG			
Title		Assembly Drawing BG-75	
Drawing No.		K-BG075-161E	
DRAWN BY		NAME	DATE
CHECKED BY		K.Kawakami	2016/04/15
APPROVED BY			
KANTEC Co.,Ltd.			1 / 1
			SHEET SIZE A4