

CAP BALANCER Type-FL

Title Assembly Drawing FL-29(B)

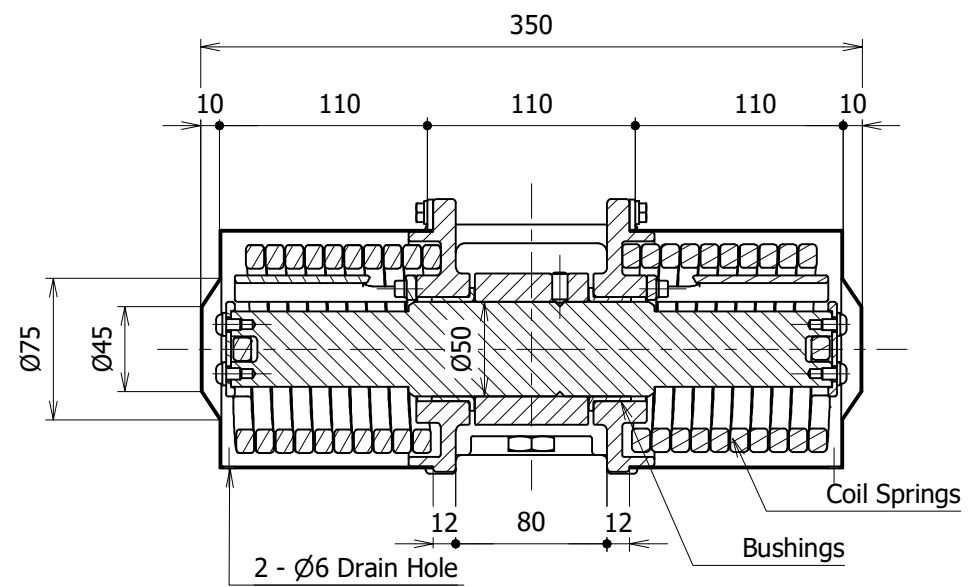
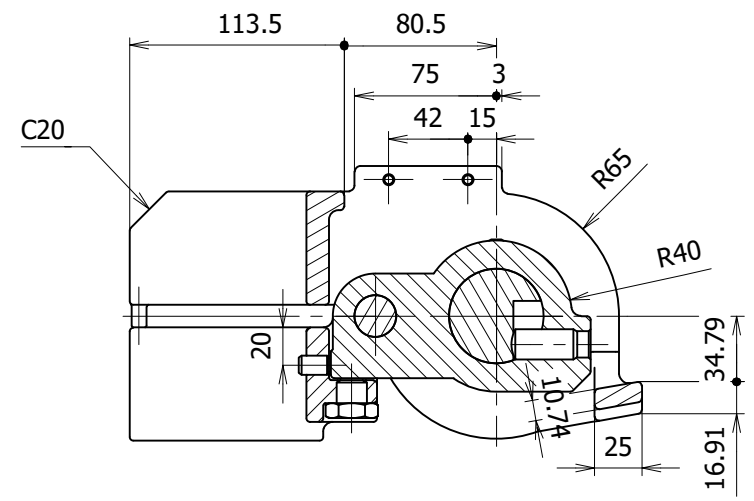
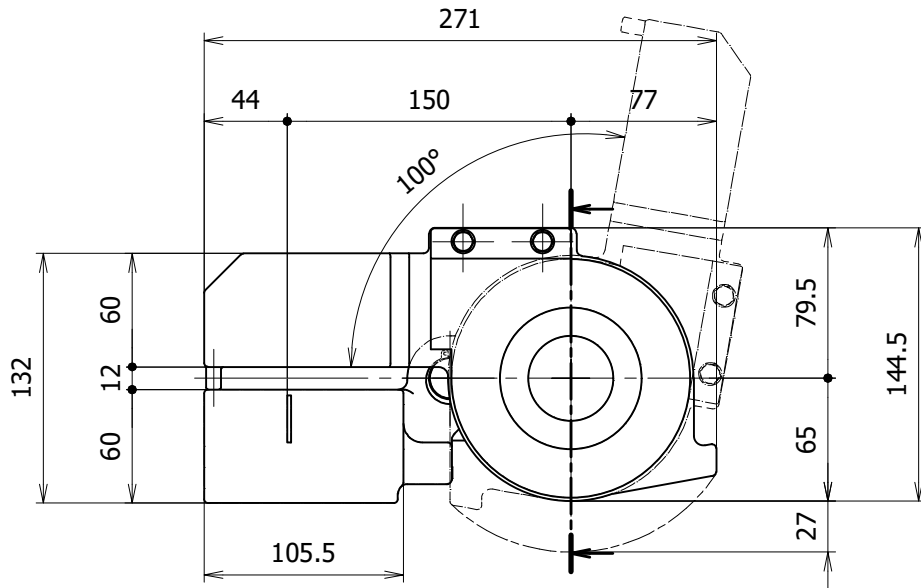
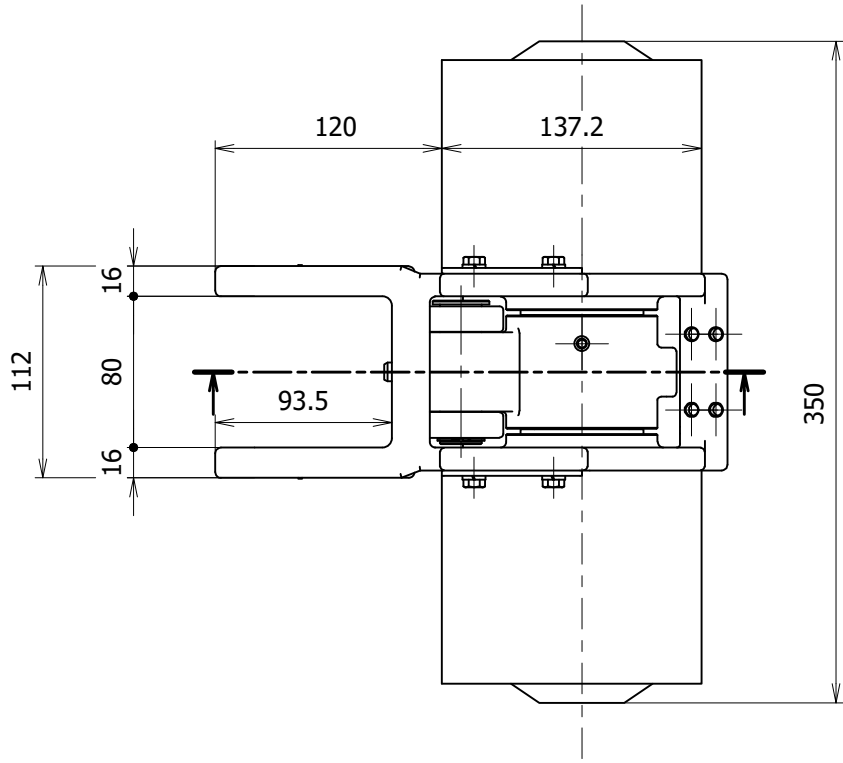
Drawing No. K-FLB029-221E

NAME	DATE
DRAWN BY K.Kawakami	2022/10/01
CHECKED BY	
APPROVED BY	

KANTEC Co.,Ltd.

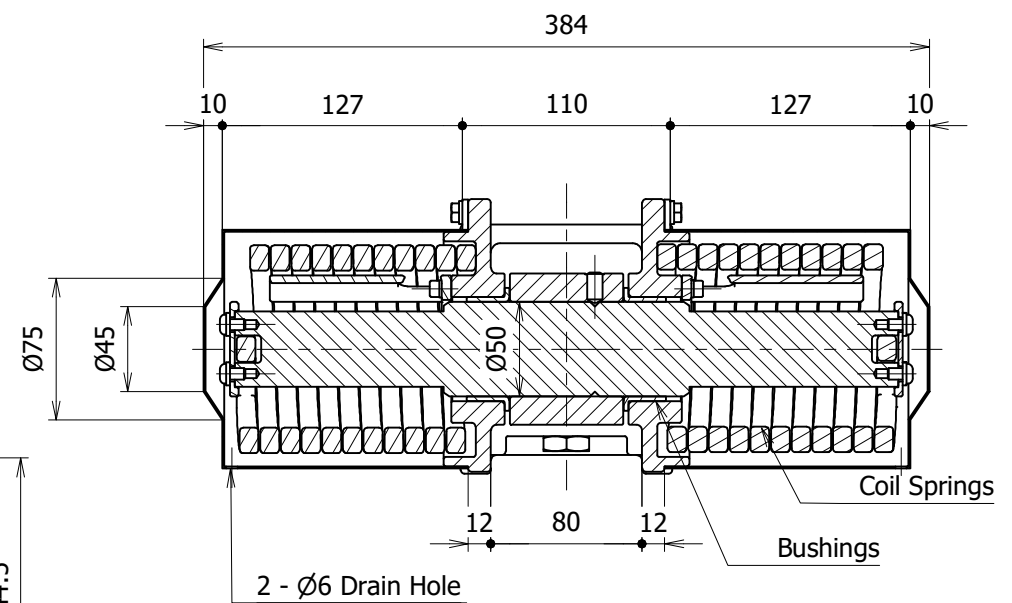
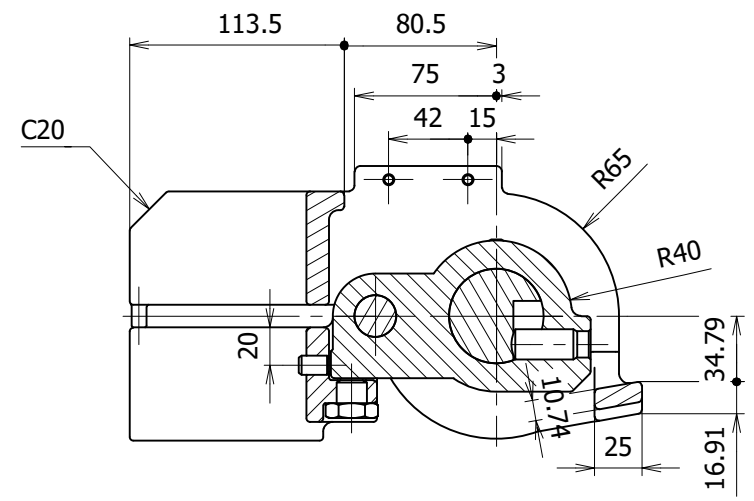
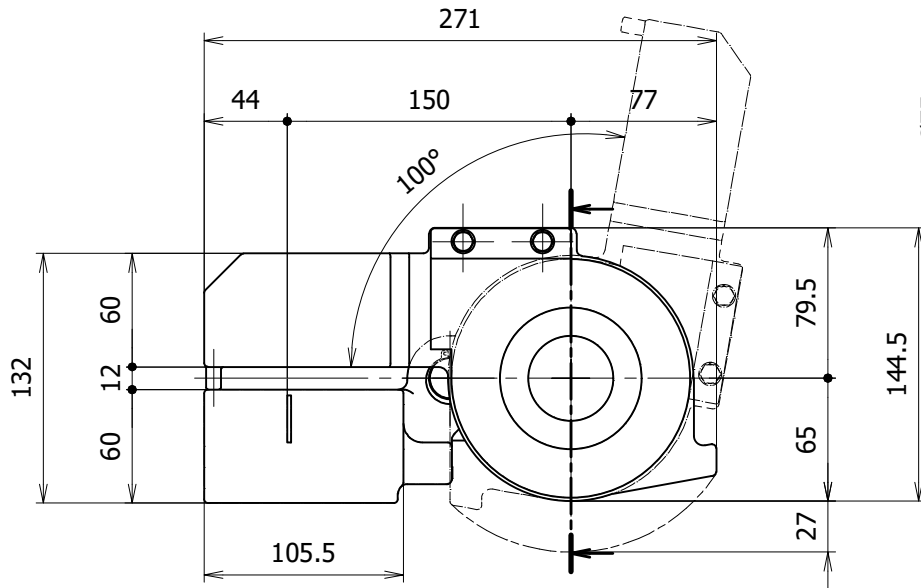
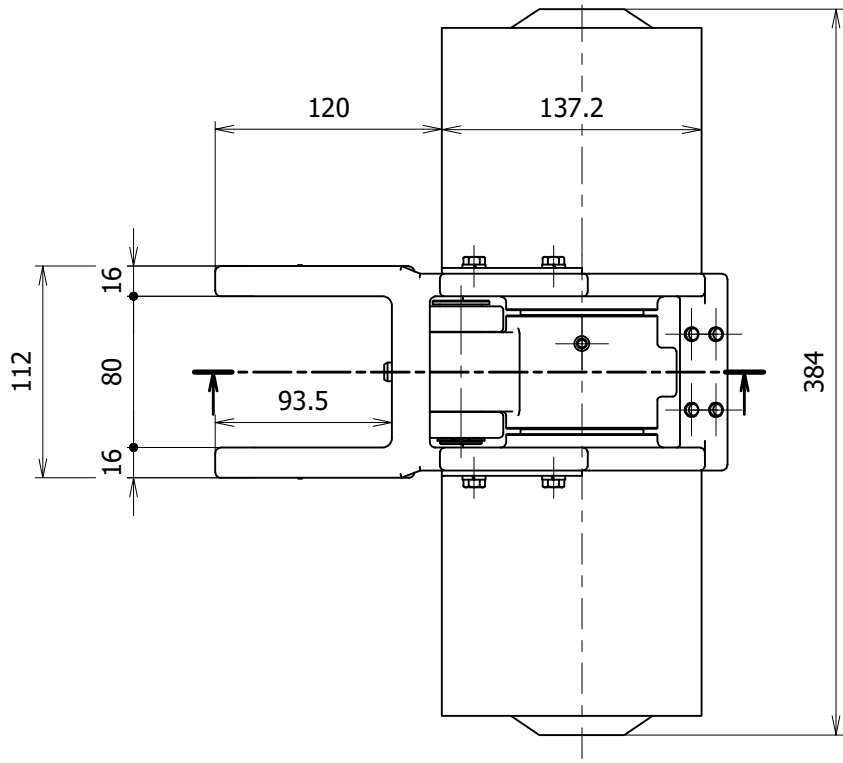
1 / 1
SHEET SIZE
A4

Material: SCS13 & SUS304
(Springs & Bushings are excluded)



CAP BALANCER Type-FL			
Title		Assembly Drawing FL-35(B)	
Drawing No.		K-FLB035-221E	
NAME		DATE	
K.Kawakami		2022/10/01	
CHECKED BY			
APPROVED BY			
KANTEC Co.,Ltd.			1 / 1
			SHEET SIZE A4

Material: SCS13 & SUS304
(Springs & Bushings are excluded)



CAP BALANCER TypeFL

Title Assembly Drawing FL-42(B)

Drawing No. K-FLB042-221E Rev.

DRAWN BY	NAME	DATE
CHECKED BY	K.Kawakami	2022/10/01
APPROVED BY		

KANTEC Co.,Ltd.

1 / 1
SHEET SIZE
A4

Material: SCS13 & SUS304
(Springs & Bushings are excluded)