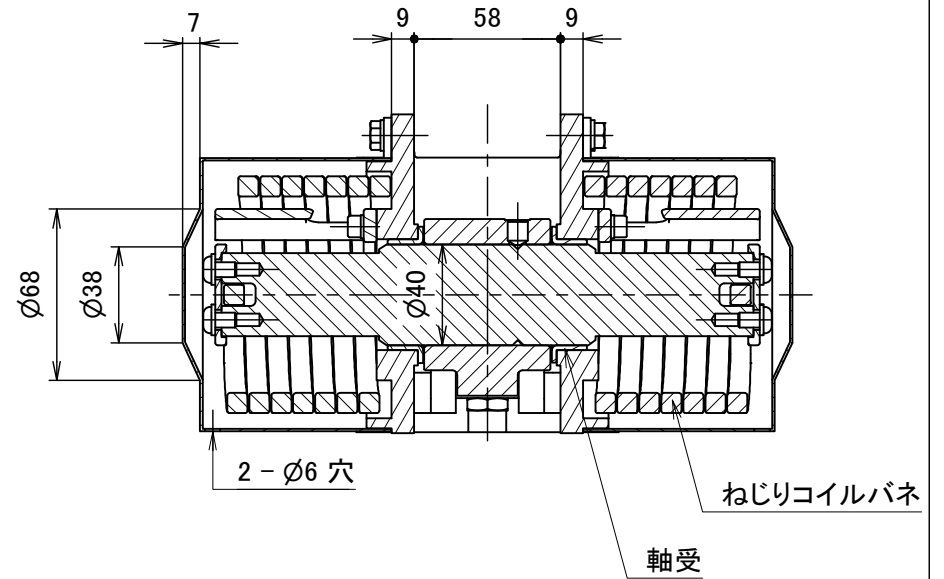
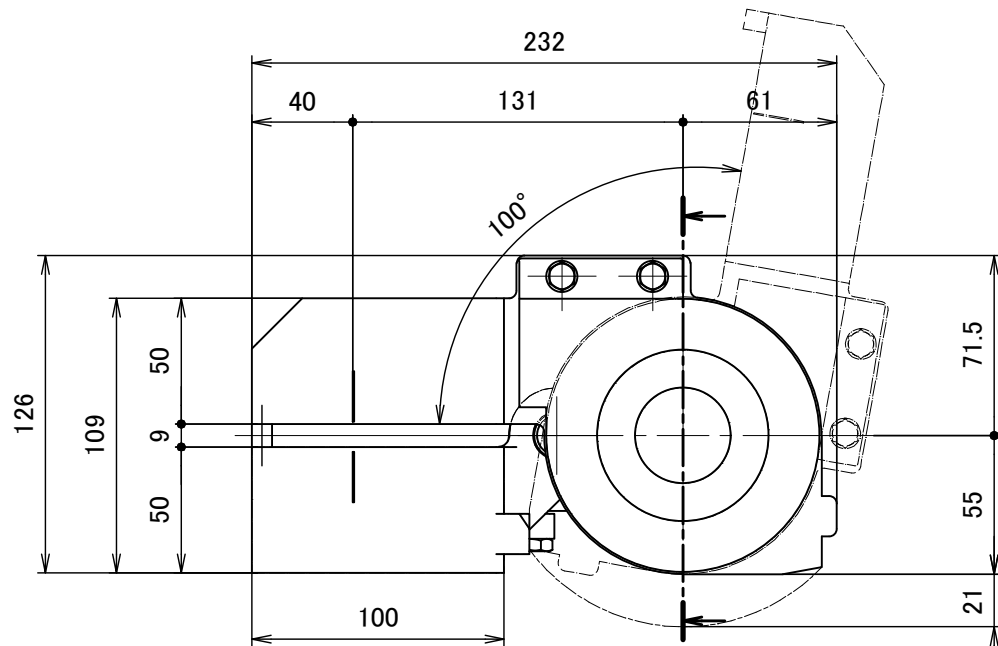
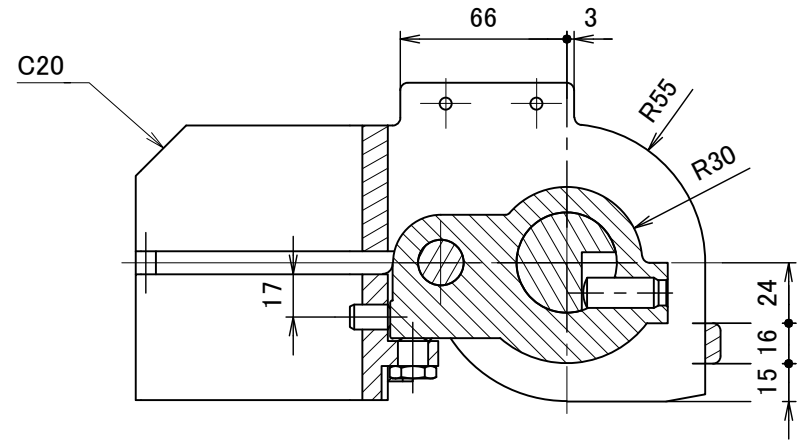
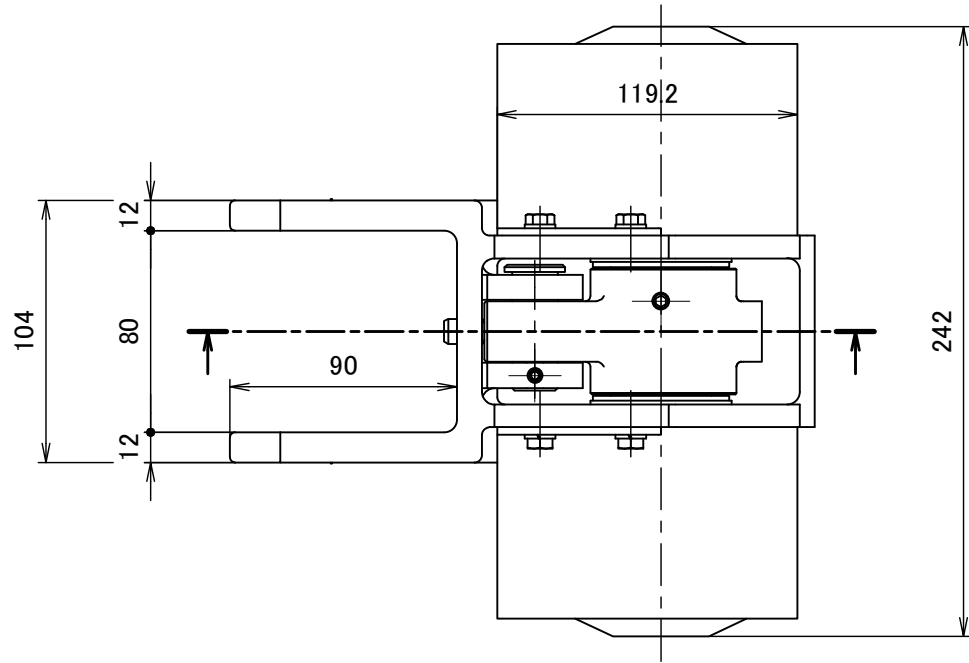


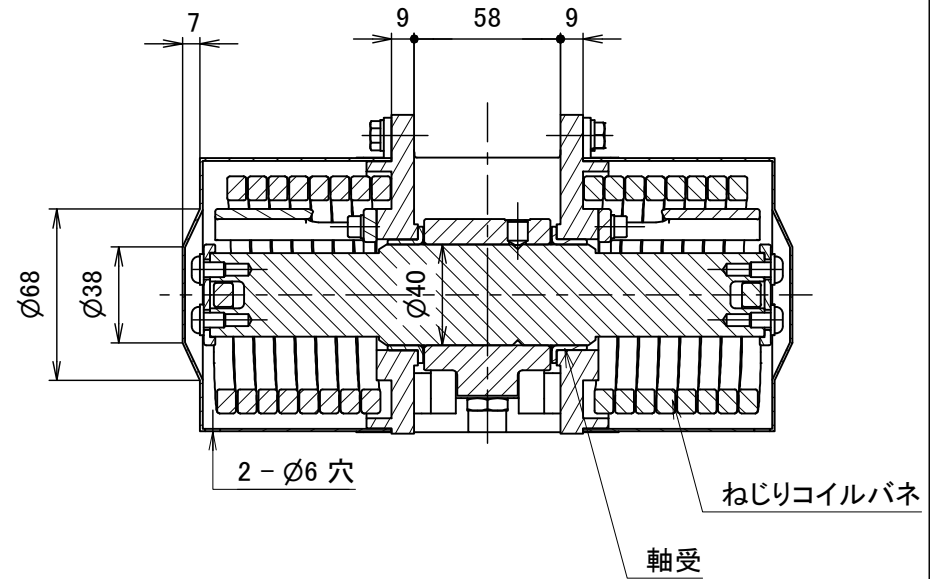
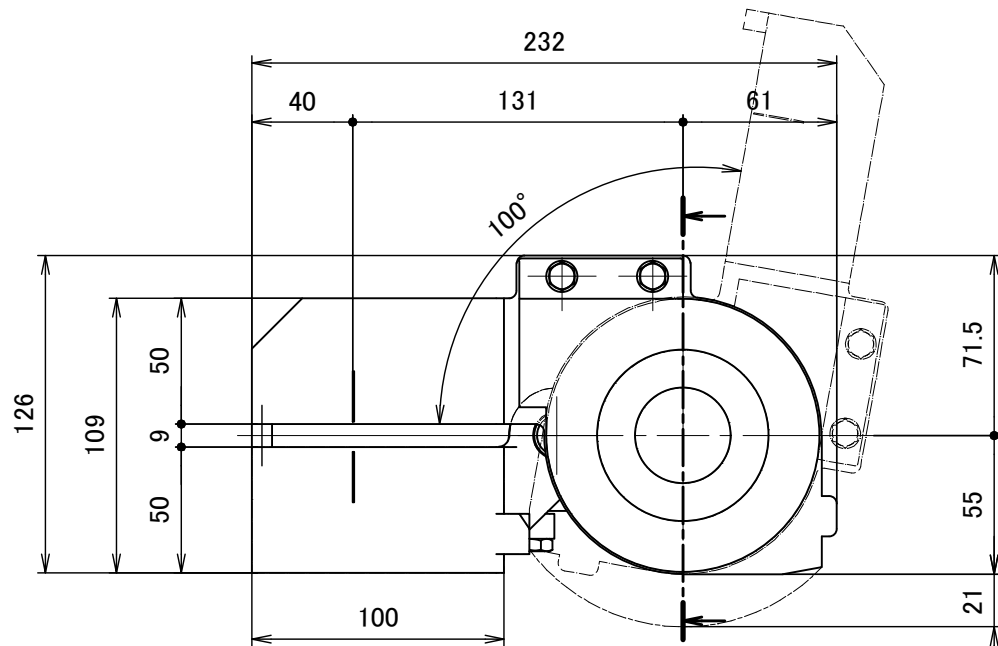
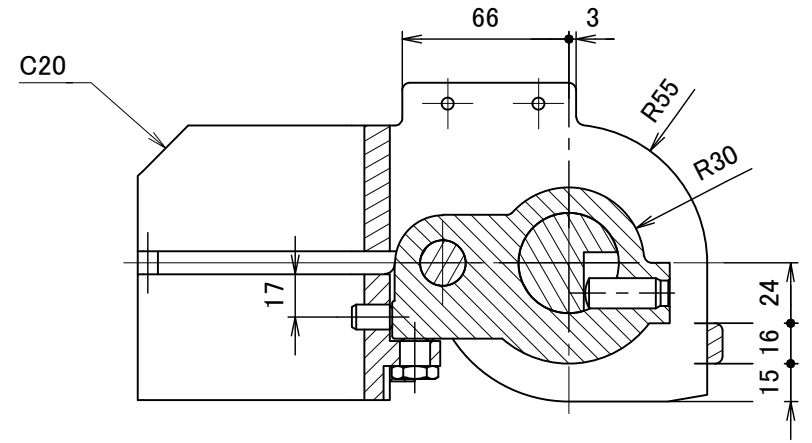
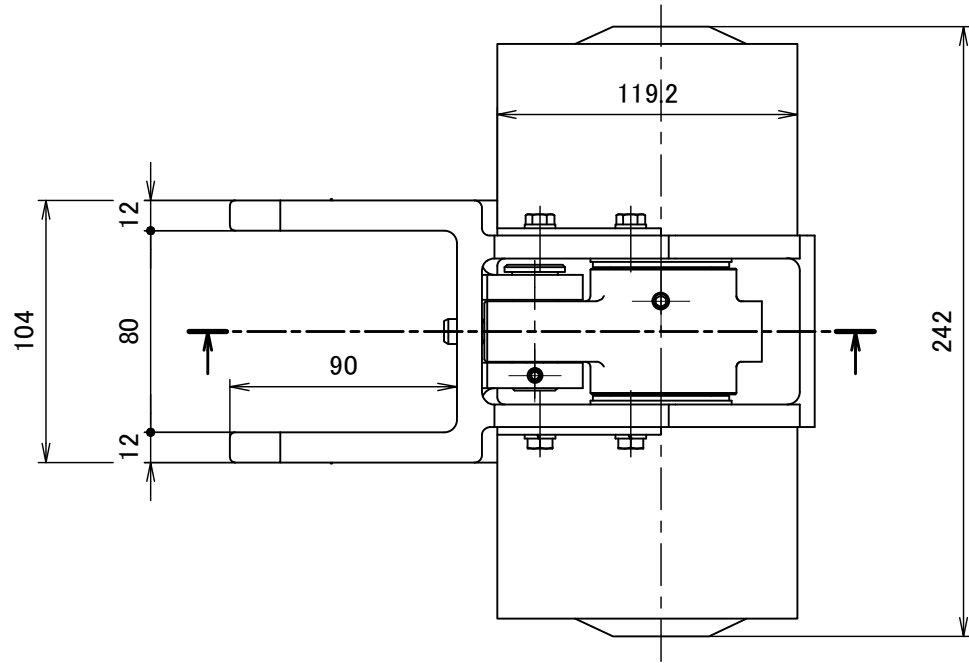
材質: SCS13及びSUS304
(バネと軸受を除く)

| | | | |
|------------------------|--|-------------|------------------|
| キャップバランサーFM型 | | | |
| Title | | FM-8型組立図 | |
| Drawing No. | | K-FM008-221 | |
| DRAWN BY | | NAME | DATE |
| CHECKED BY | | K.Kawakami | 2022/03/20 |
| APPROVED BY | | | |
| KANTEC Co.,Ltd. | | | 1 / 1 |
| | | | SHEET SIZE A4 |



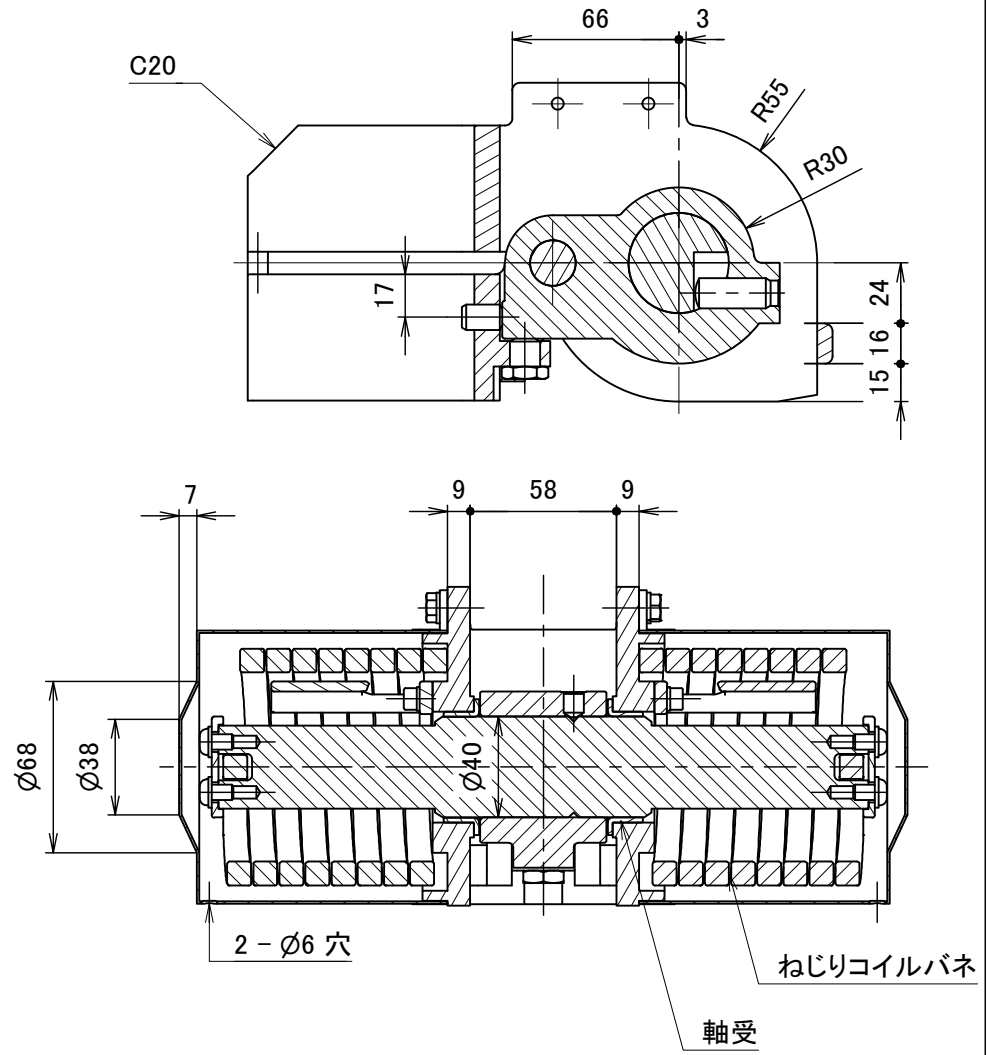
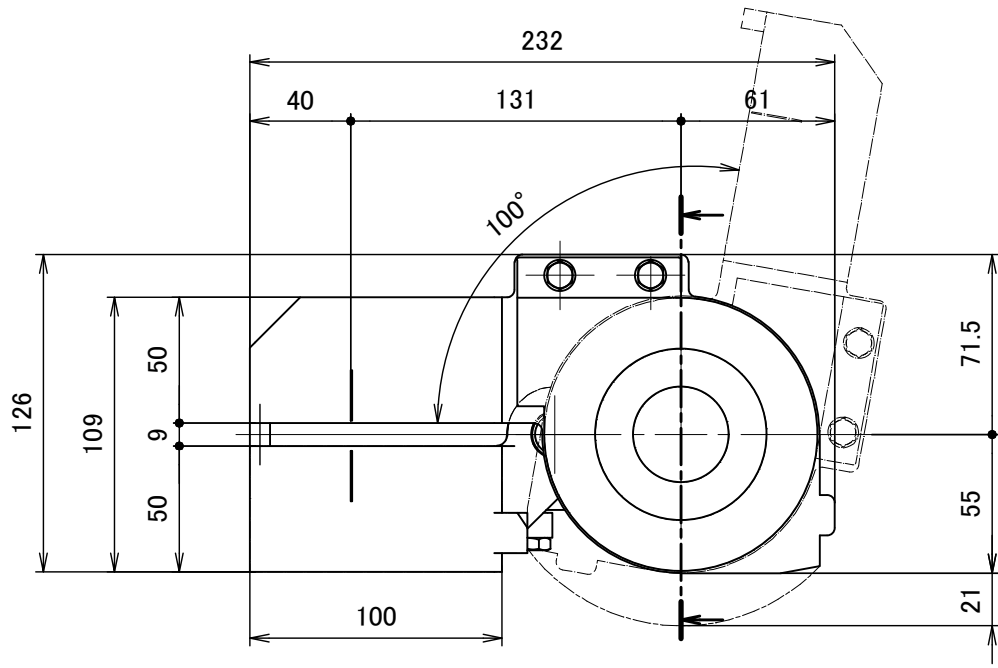
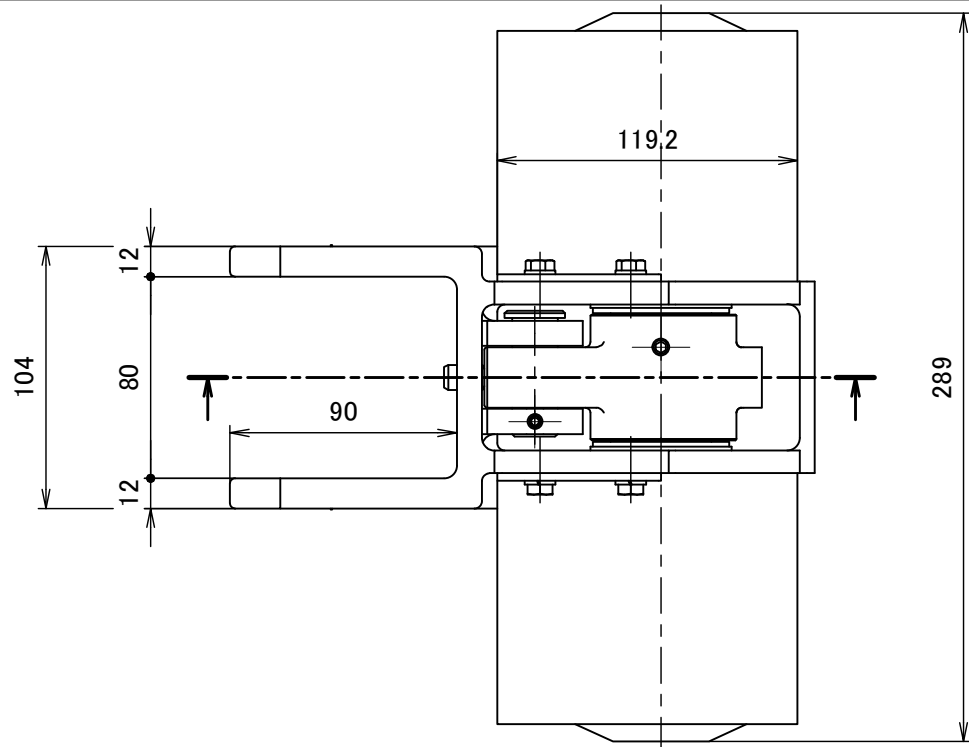
材質: SCS13及びSUS304
(バネと軸受を除く)

| キャップバランサーFM型 | | | |
|-----------------|--|-------------|------------------|
| Title | | FM-13型組立図 | |
| Drawing No. | | K-FM013-221 | |
| DRAWN BY | | NAME | DATE |
| CHECKED BY | | K.Kawakami | 2022/03/20 |
| APPROVED BY | | | |
| KANTEC Co.,Ltd. | | | 1 / 1 |
| | | | SHEET SIZE A4 |



材質: SCS13及びSUS304
(バネと軸受を除く)

| | | | |
|---------------------|--|------------------------|------------------|
| キャップバランサーFM型 | | | |
| Title | | FM-18型組立図 | |
| Drawing No. | | K-FM018-221 | |
| DRAWN BY | | NAME | DATE |
| CHECKED BY | | K.Kawakami | 2022/03/20 |
| APPROVED BY | | KANTEC Co.,Ltd. | |
| | | | |
| | | | 1 / 1 |
| | | | SHEET SIZE A4 |



材質: SCS13及びSUS304
(バネと軸受を除く)

| | | | |
|------------------------|--|-------------|------------------|
| キャップバランサーFM型 | | | |
| Title | | FM-22型組立図 | |
| Drawing No. | | K-FM022-221 | |
| DRAWN BY | | DATE | |
| K.Kawakami | | 2022/03/20 | |
| CHECKED BY | | APPROVED BY | |
| | | | |
| KANTEC Co.,Ltd. | | | 1 / 1 |
| | | | SHEET SIZE A4 |