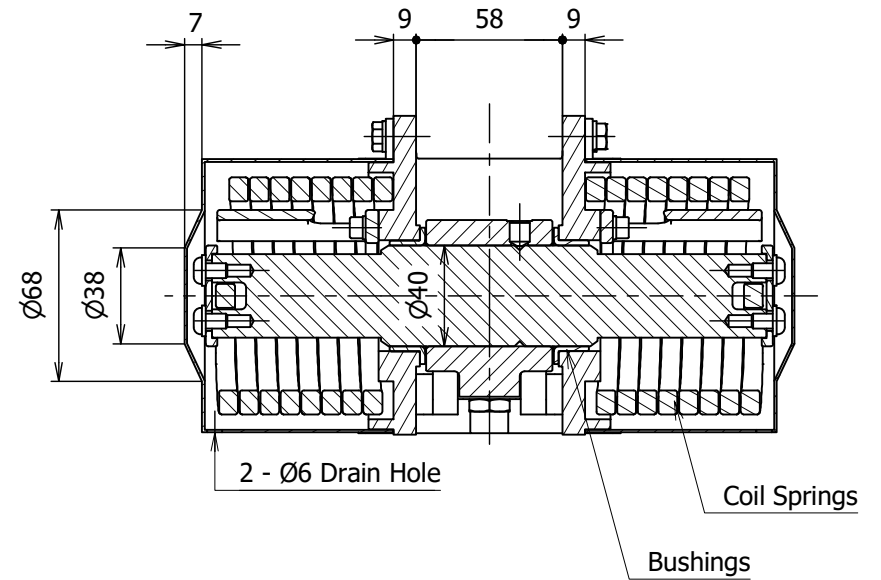
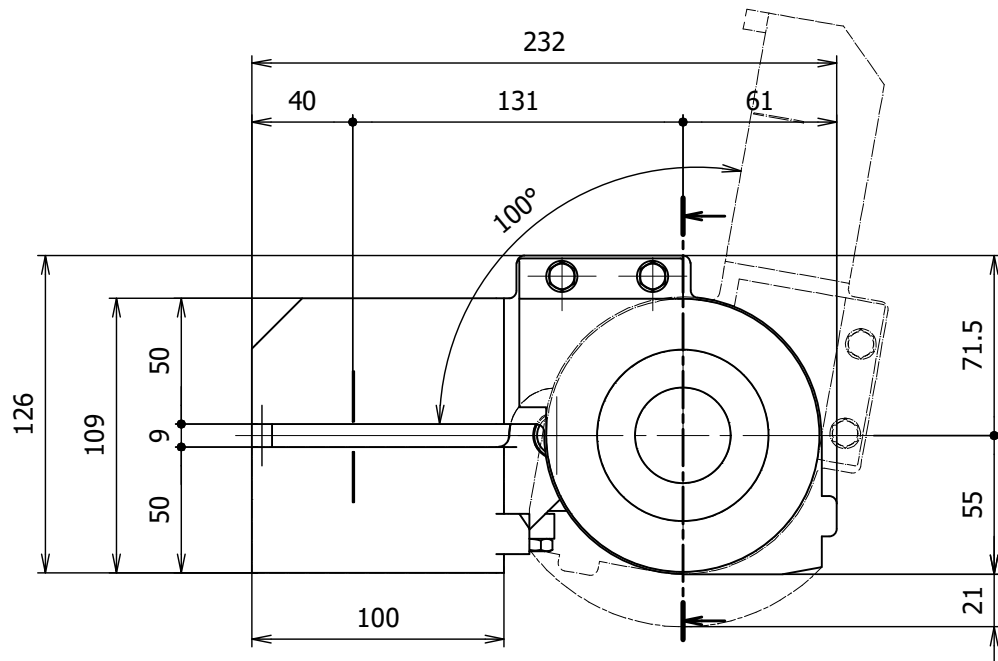
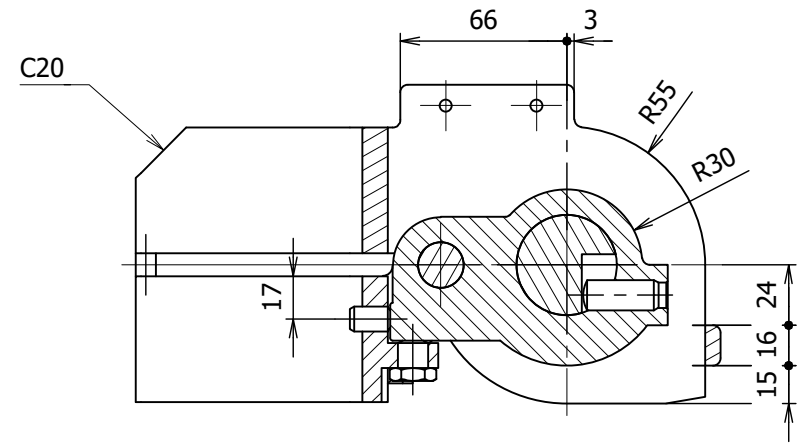
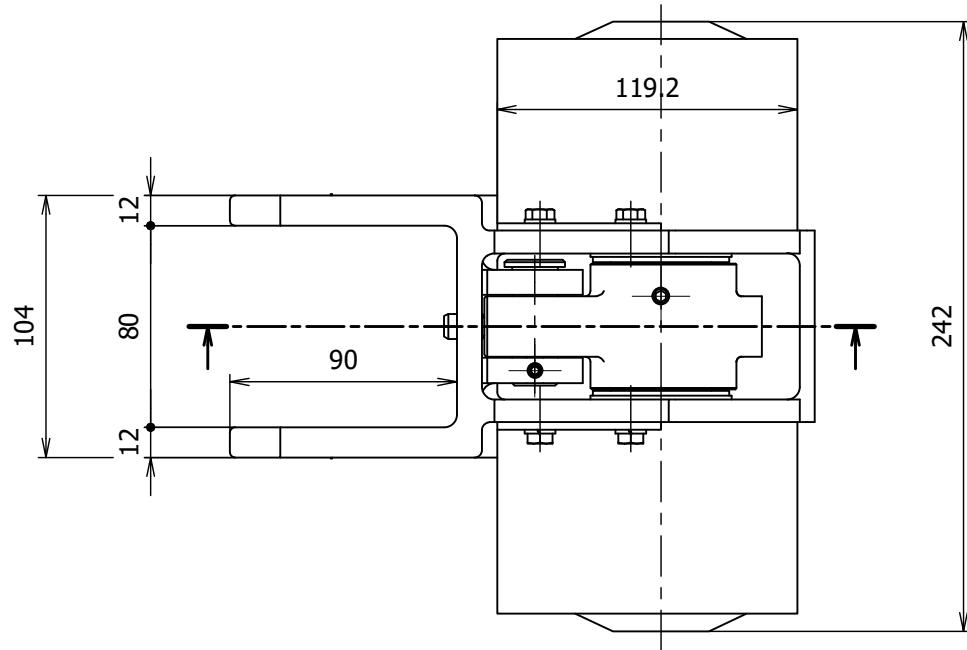


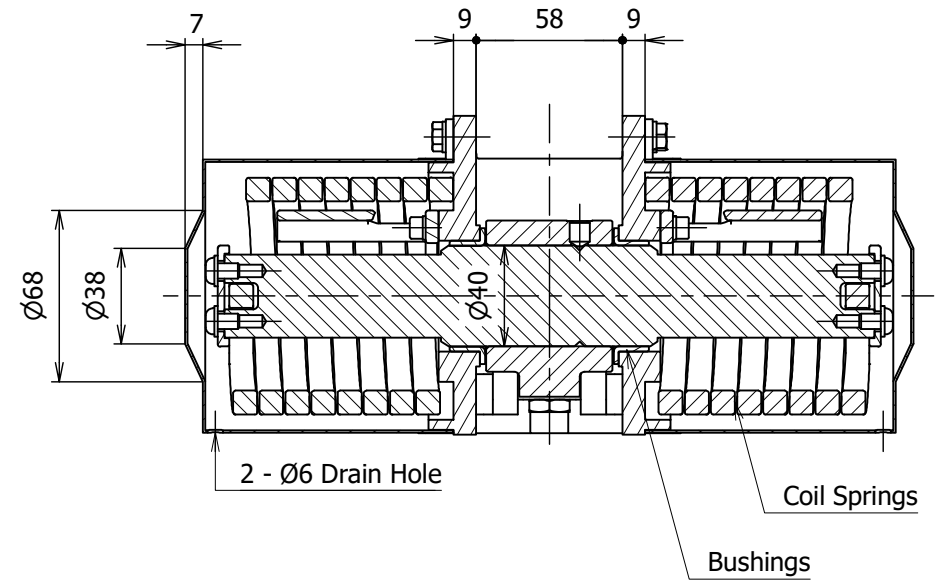
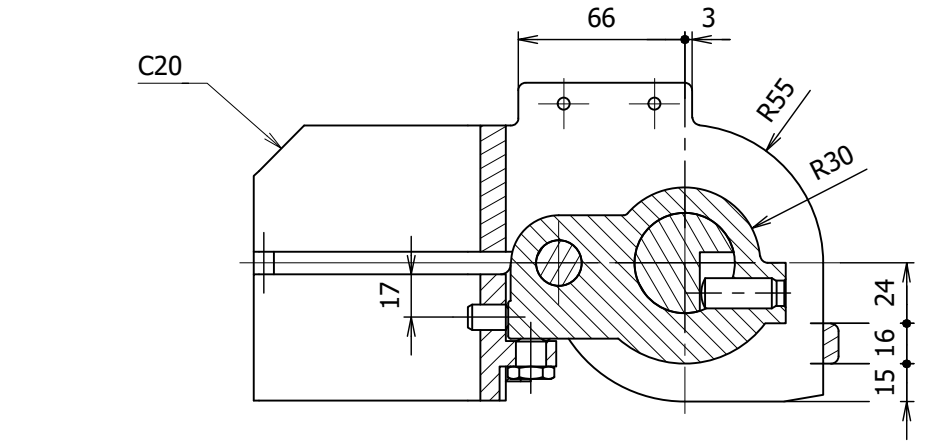
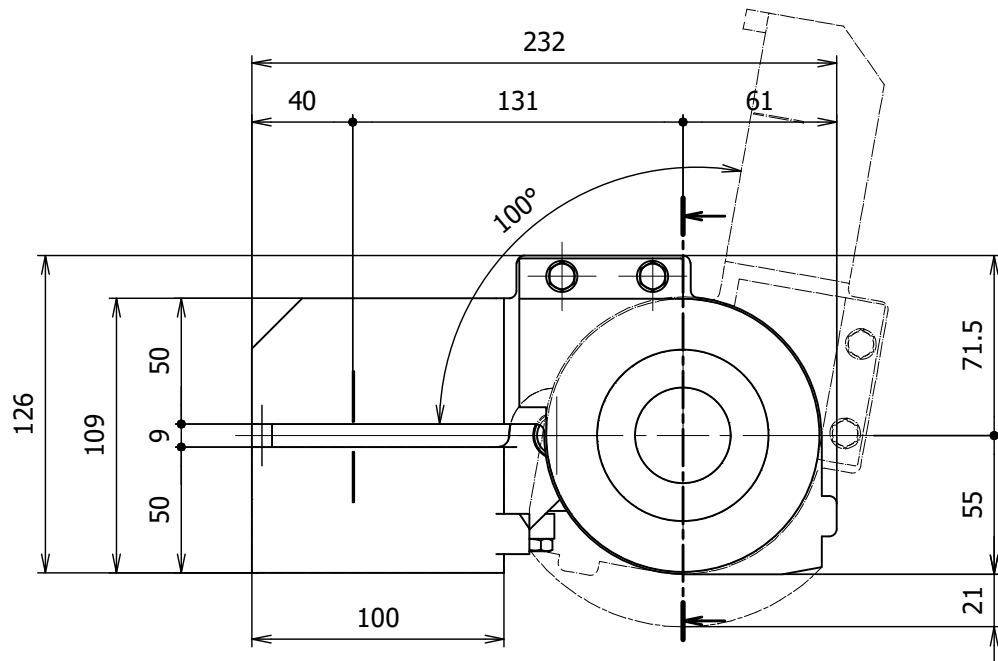
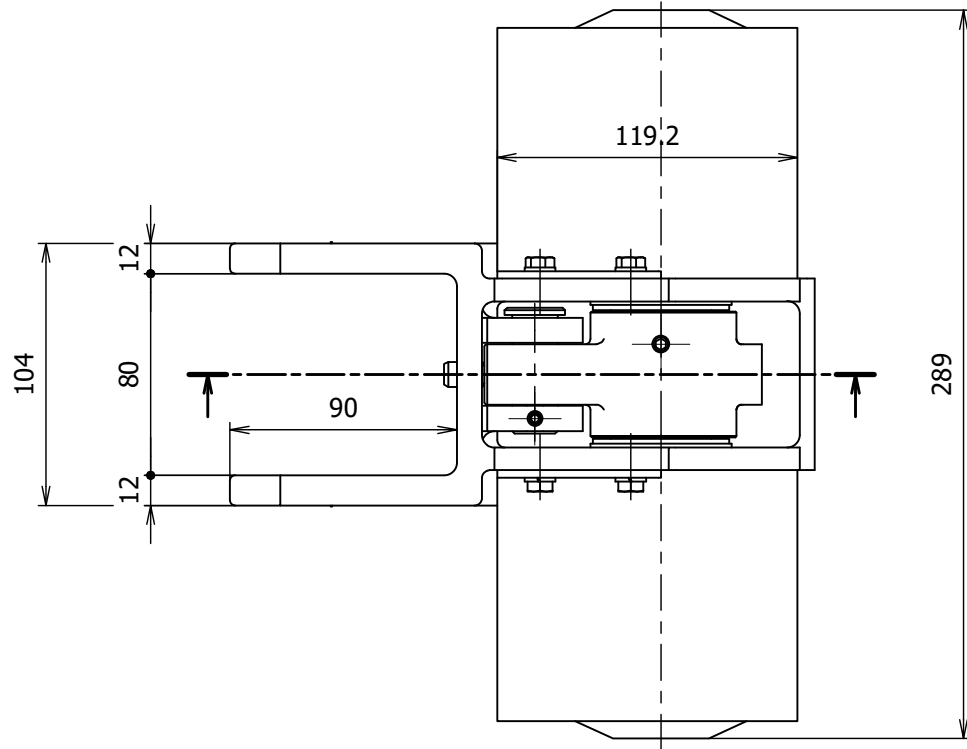
Material : SCS13 & SUS304  
(Springs, Bushings are excluded)

CAP BALANCER Type-FM			
Title	Assembly Drawing FM-13		
Drawing No.	K-FM013-221E		
	NAME	DATE	1 / 1
DRAWN BY	K.Kawakami	2022/03/20	
CHECKED BY			
APPROVED BY			
KANTEC Co.,Ltd.			SHEET SIZE A4



Material : SCS13 & SUS304  
(Springs, Bushings are excluded)

CAP BALANCER Type-FM			
Title		Assembly Drawing FM-18	
Drawing No.		K-FM018-221E	
DRAWN BY		NAME	DATE
CHECKED BY		K.Kawakami	2022/03/20
APPROVED BY			
KANTEC Co.,Ltd.			1 / 1
			SHEET SIZE A4



Material : SCS13 & SUS304  
(Springs, Bushings are excluded)

CAP BALANCER Type-FM			
Title		Assembly Drawing FM-22	
Drawing No.		K-FM022-221E	
DRAWN BY		NAME	DATE
CHECKED BY		K.Kawakami	2022/03/20
APPROVED BY		KANTEC Co.,Ltd.	
			1 / 1
			SHEET SIZE A4