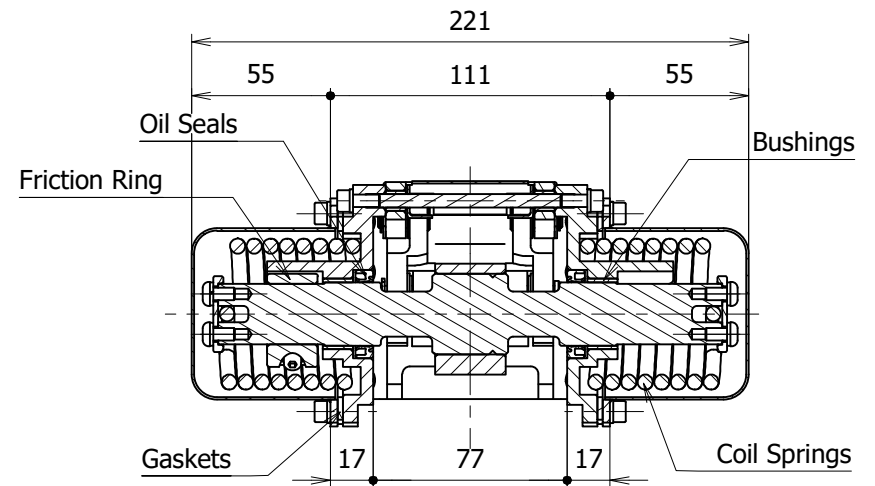
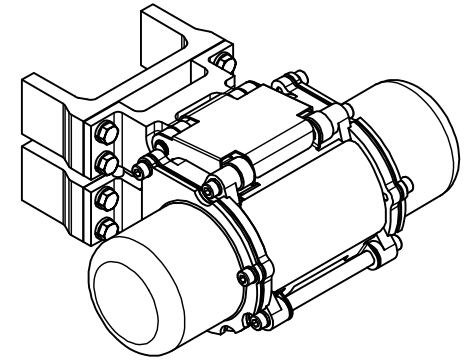
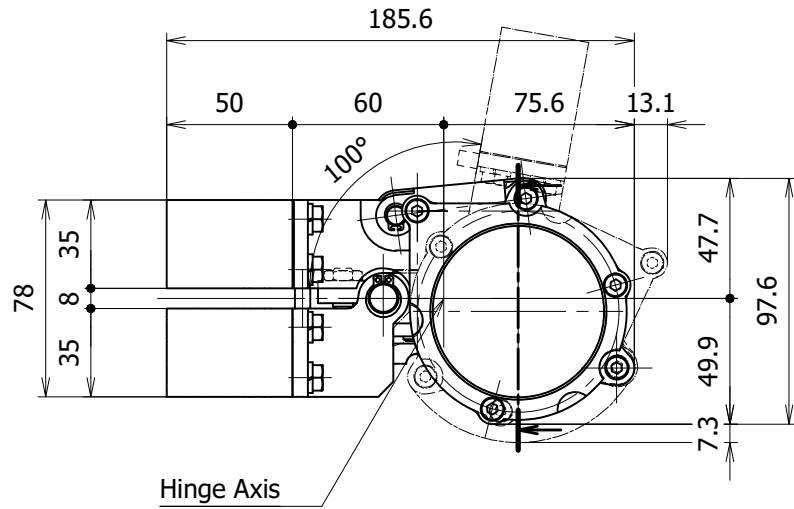
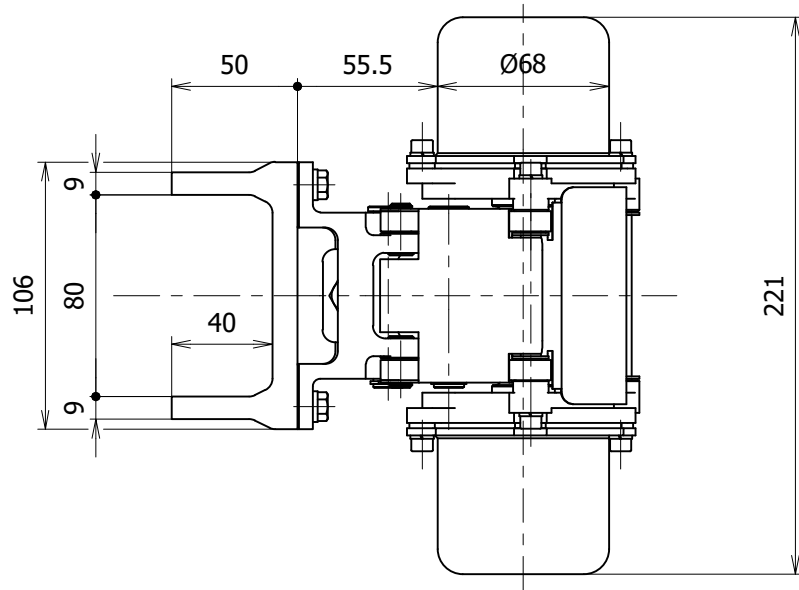


Material : SCS13 & SUS304
(Springs, Bushings, Sealing parts and Friction ring are excluded)

CAP BALANCER Type-TT			
Title		Assembly Drawing TT	
Drawing No.		K-TT010-191E	
		Rev.	
DRAWN BY	NAME	DATE	KANTEC Co.,Ltd.
CHECKED BY	K.Kawakami	2021/02/01	
APPROVED BY			
			1 / 1
			SHEET SIZE A4



Material : SCS13 & SUS304
 (Springs, Bushings, Sealing parts and Friction ring are excluded)

CAP BALANCER Type-TT			
Title		Assembly Drawing TT	
Drawing No.		K-TT020-191E	
<small>DRAWN BY</small>	<small>NAME</small>	<small>DATE</small>	<small>Rev.</small>
<small>CHECKED BY</small>	K.Kawakami	2019/07/17	
<small>APPROVED BY</small>			
KANTEC Co.,Ltd.			1 / 1
			<small>SHEET SIZE</small> A4